

LIVING DISTRICT

Collection:Pierce

Installation manual for:

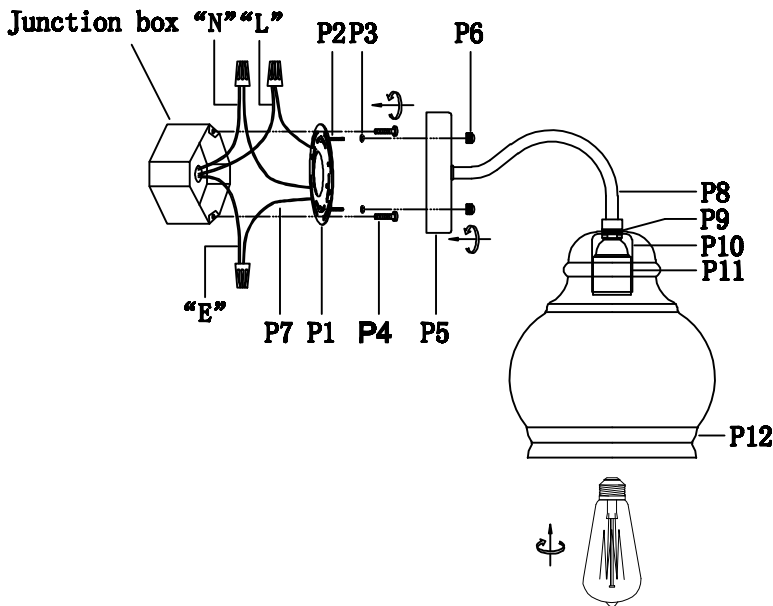
LD6193C W8"H13.5"E11.4" L1

Installation instructions:

1. Black wire from ceiling(junction box) attaches to "L"wire from the fixture.
2. White wire from ceiling(junction box) attaches to "N"wire from the fixture.
3. "E" wire from the fixture is attached to the mounting bracket and an additional "E" wire from the mounting bracket must be secured to the junction box.
4. Secure mounting bracket to the junction box.
5. Insert screws (P4) in side of top unit the mounting bracket.
6. Put the canopy (P5) on the mounting bracket(P1) and use the screw(P6) to screw tighten.
7. Install E26 light source, no include bulb.

The end!

PARTS LIST



part	picture	Description	Qty	Check list
P1		D4" Mounting bracket	1	
P2		5/32-32 Screw	2	
P3		Hex nut	2	
P4		5/32-32 Screw	2	
P5		D4.75" Canopy plate	1	
P6		Cap nut	2	
P7		Power Cord L.L. 6' 1332 18AWG Black/White	1	
P8		L7" Arm	1	
P9		Rubber washer	2	
P10		Socket cover	1	
P11		E26 Socket	1	
P12		D6*H9" Glass shade	1	

"L" = Hot wire
 "N" = Neutral wire
 "E" = Ground wire